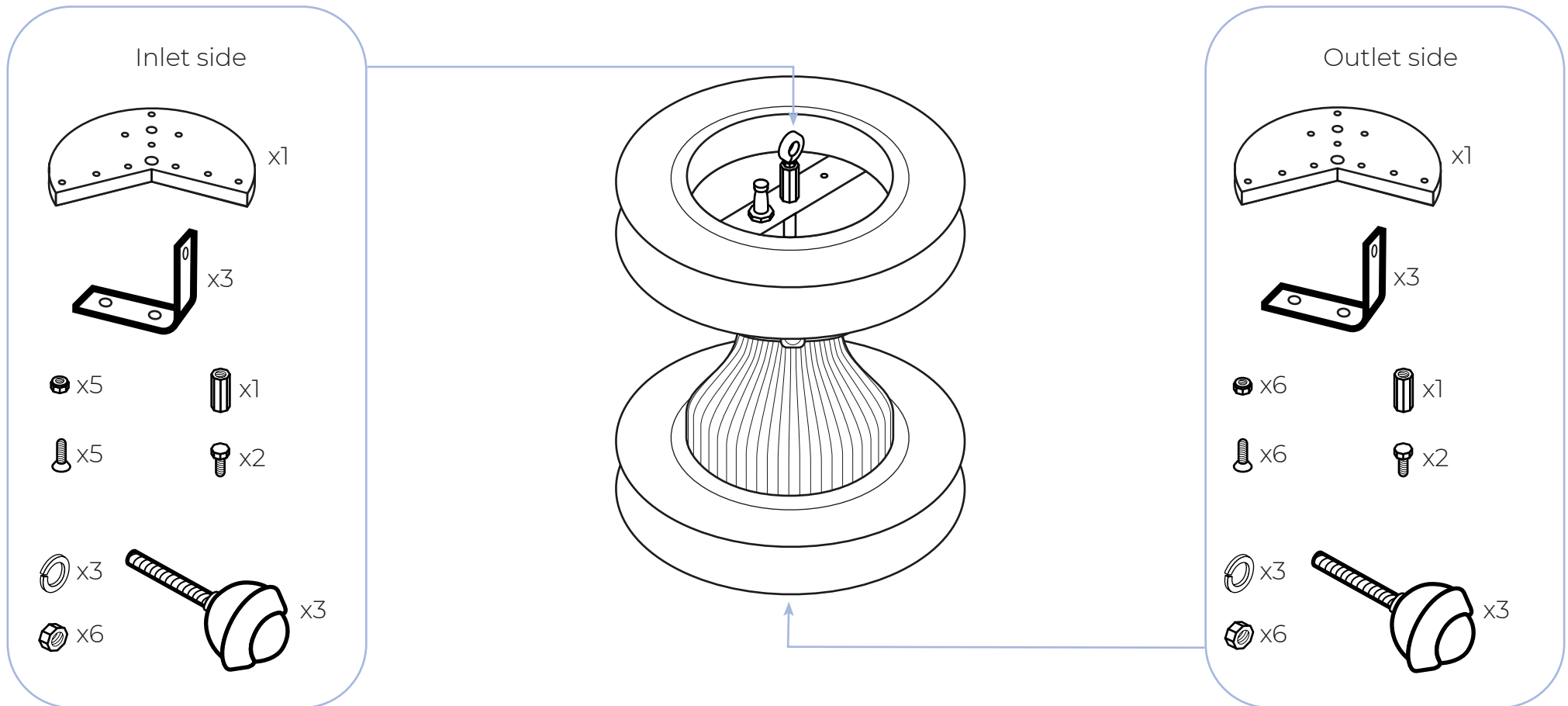


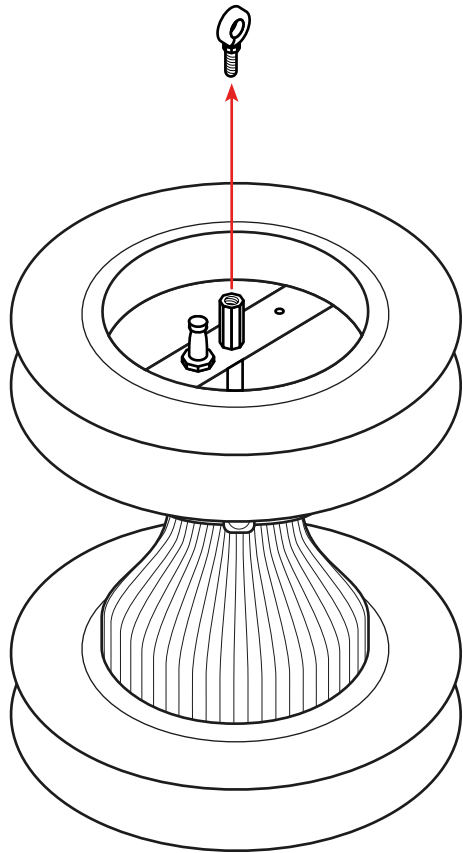
WS Plus console assembly instructions (8 - 9")

Item number: 1201005



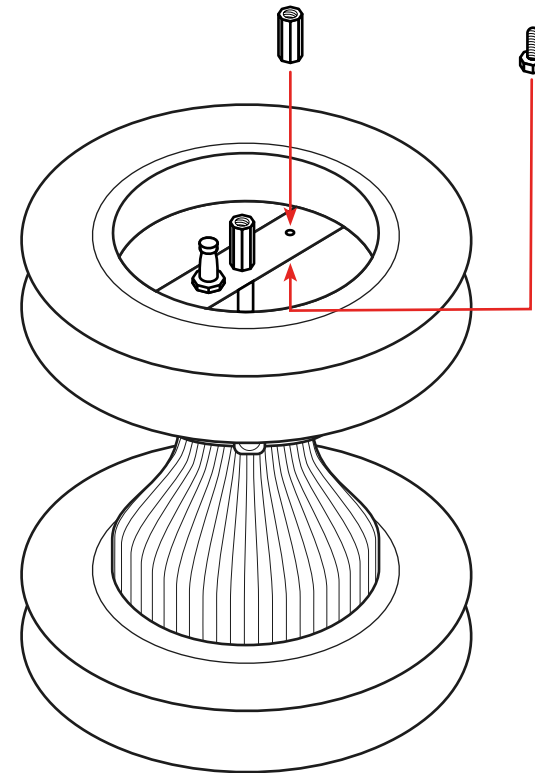
Needed tools: Phillips screwdriver, 8 mm wrench, 10 mm wrench, 6,5 mm drill

1 *(Inlet side)*



2

 x1  x1



3

⊙ x5

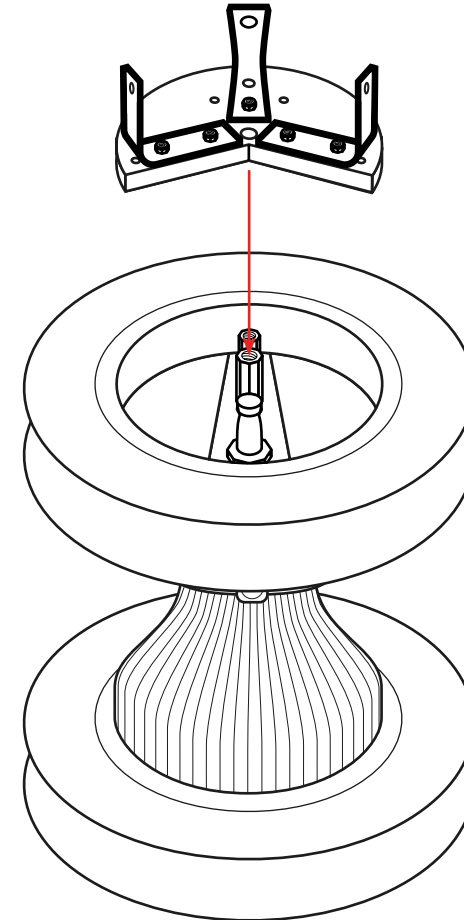
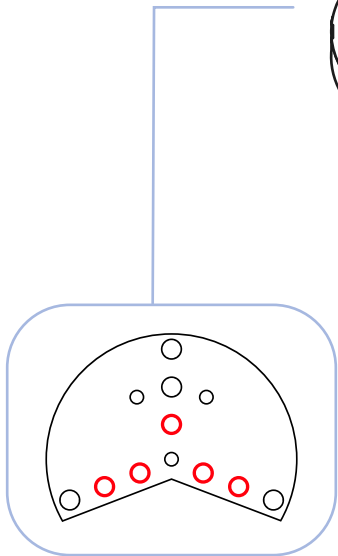
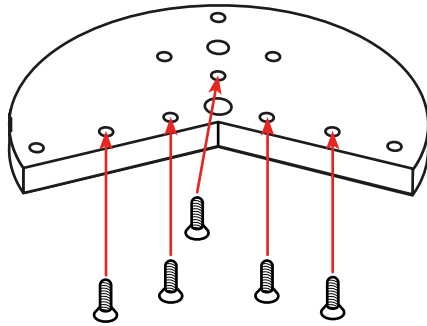
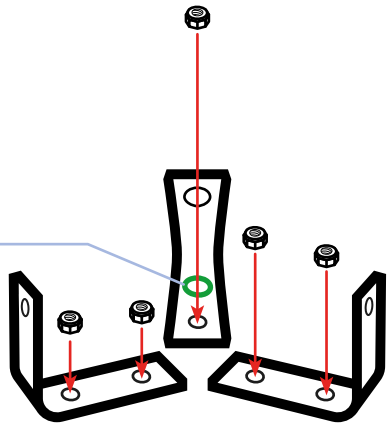
⊙ x5

⊙ x3

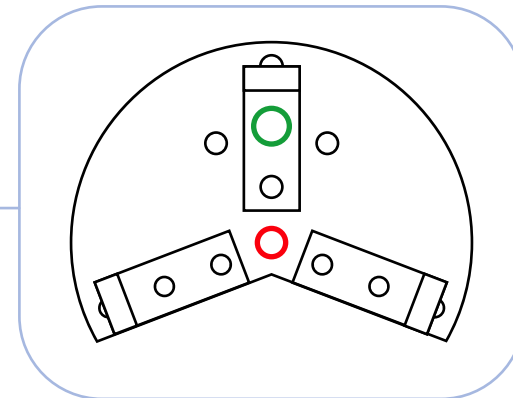
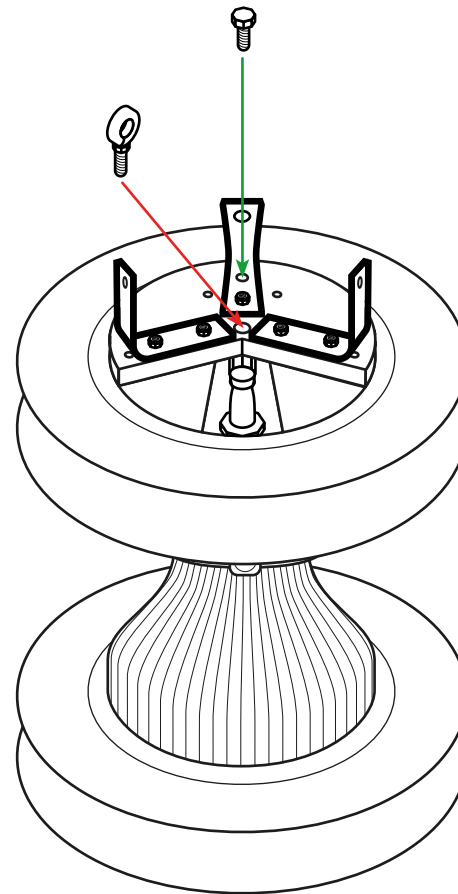
⊙ x1

4

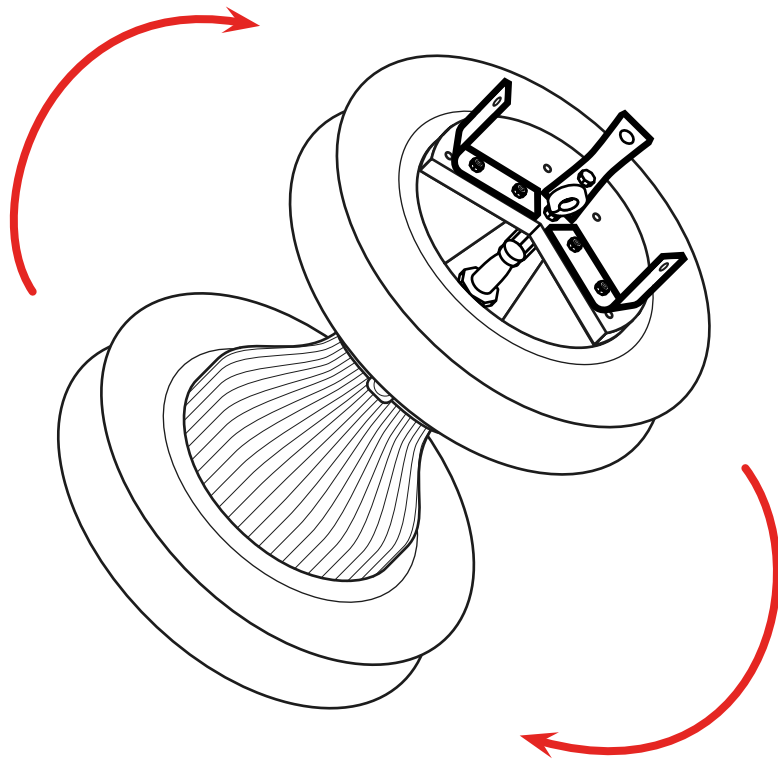
⊙ will need to be expanded to 6,5 mm



5



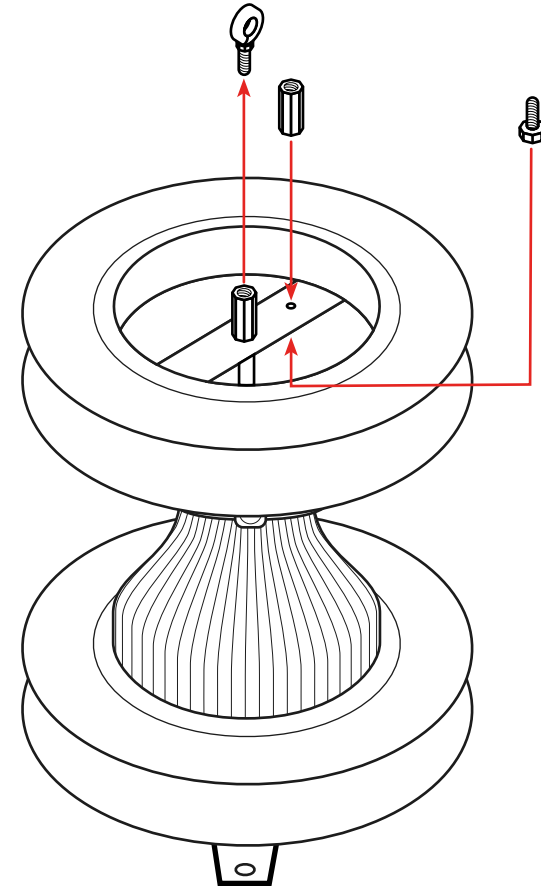
6



7



(Outlet side)



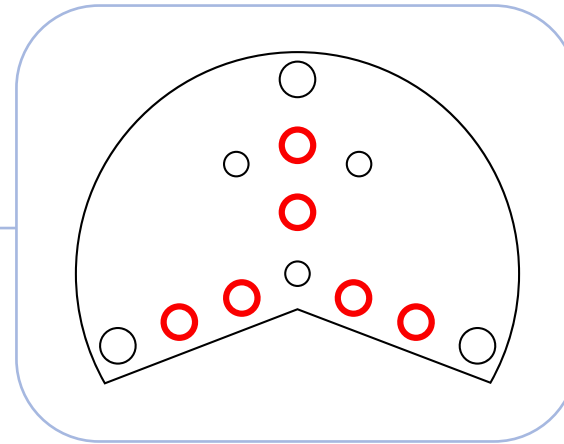
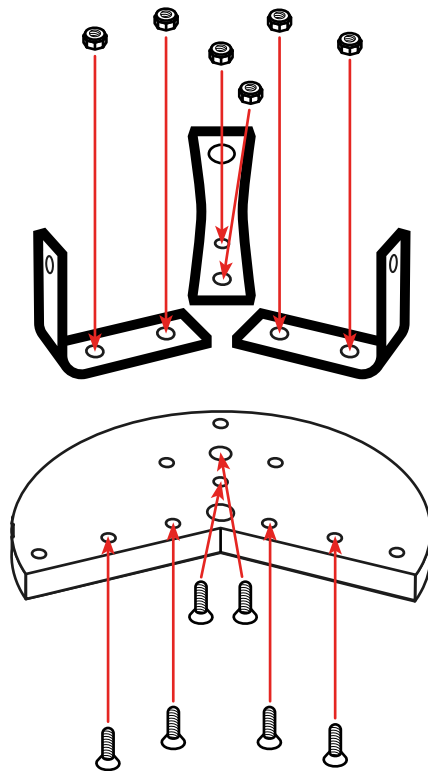
8

⊙ x6

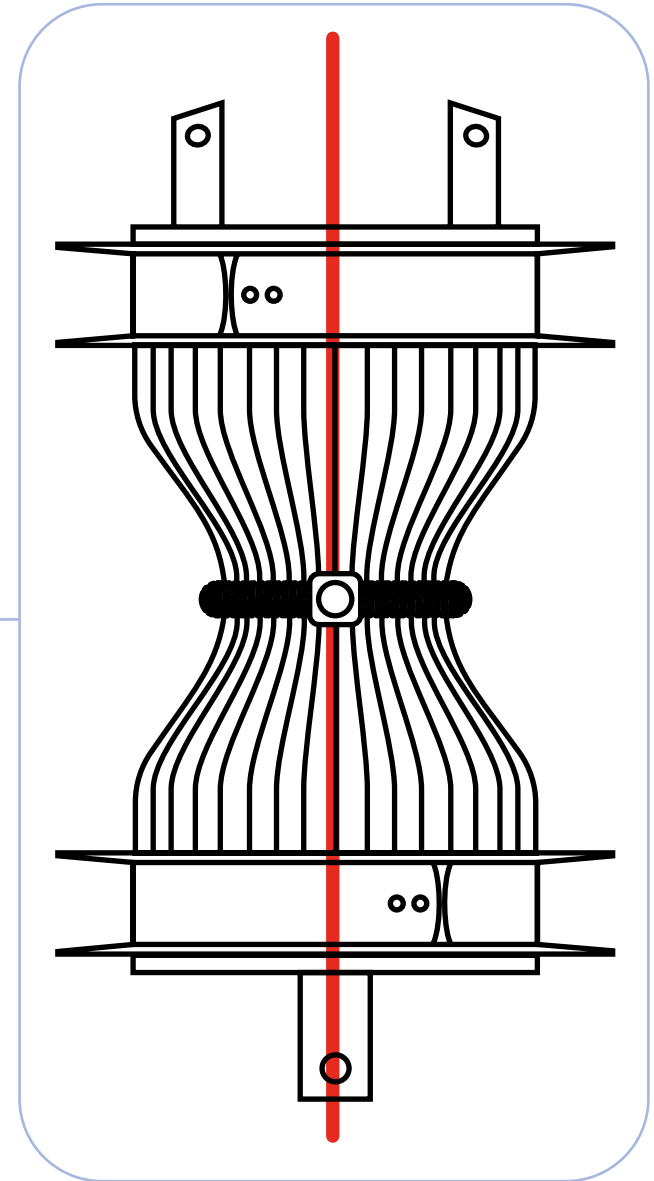
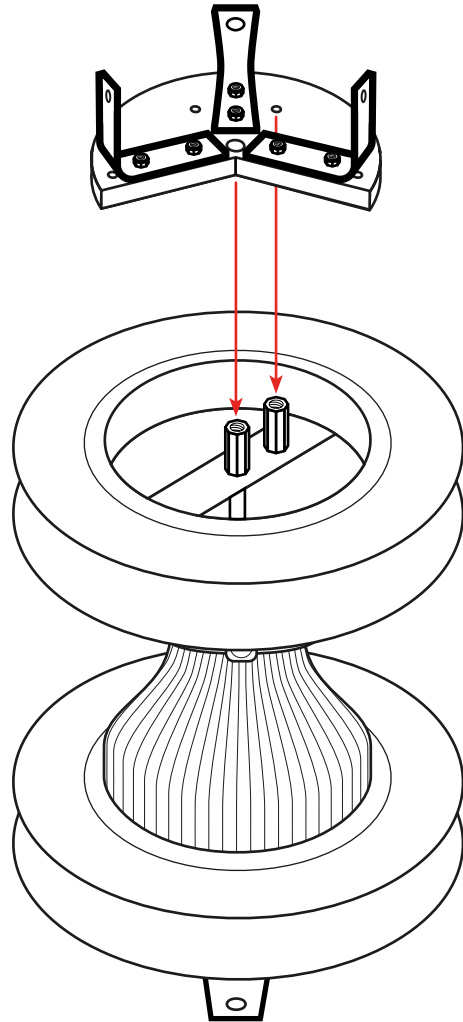
⊙ x6

⊓ x3

⊓ x1

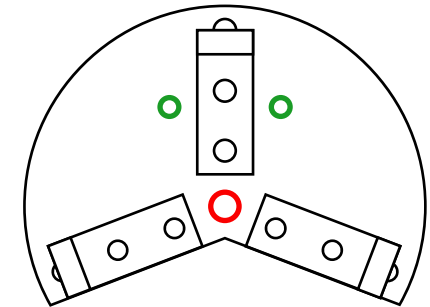
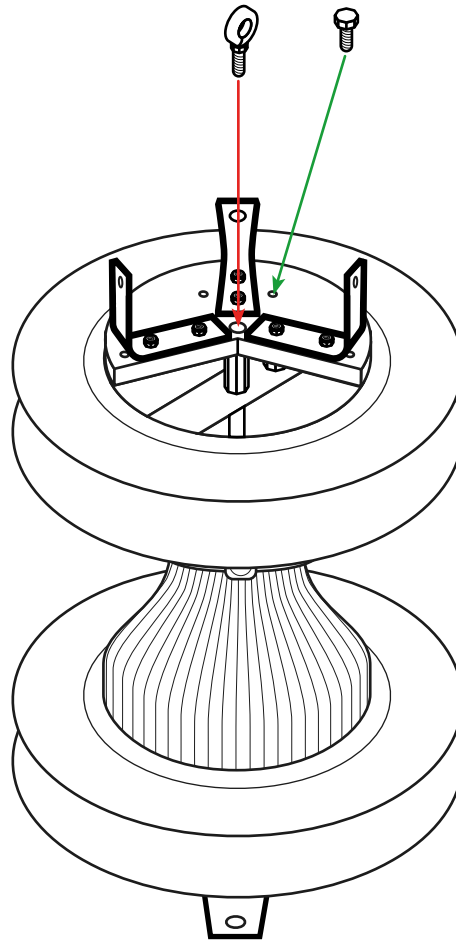



9



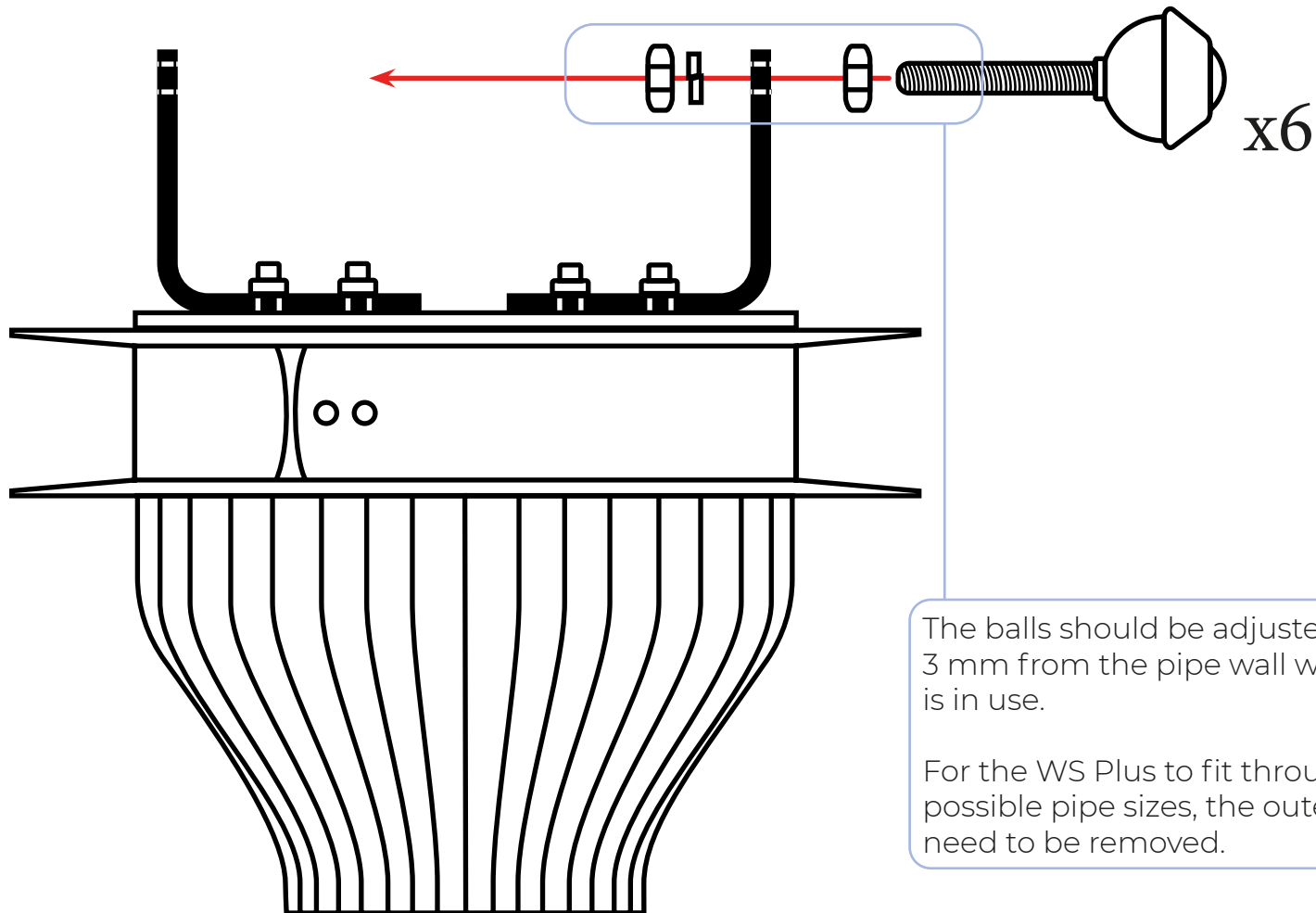
The consoles MUST NOT align

10



Either  works. What is important is that the consoles do NOT align (see step 9)

11



12

