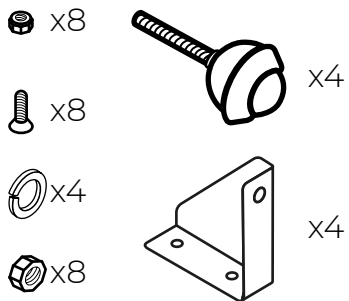


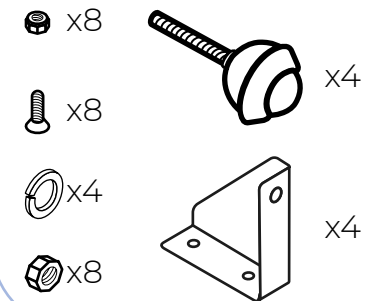
WS Plus console assembly instructions (18 - 40")

Item number: 1201015 / 1201020

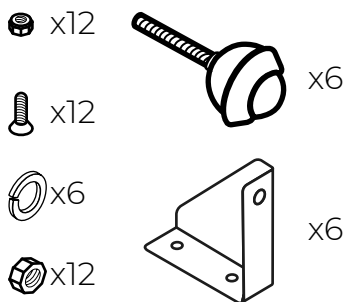
Inlet side (18 - 30")



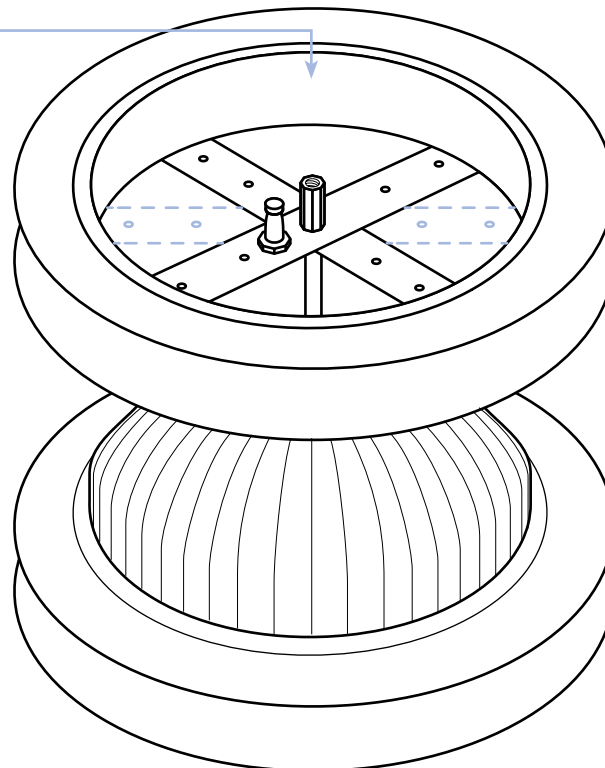
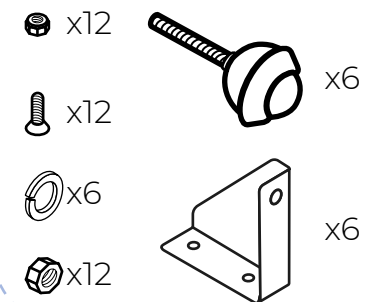
Outlet side (18 - 30")



Inlet side (32 - 40")



Outlet side (32 - 40")



Needed tools: 8 mm wrench, 10 mm wrench

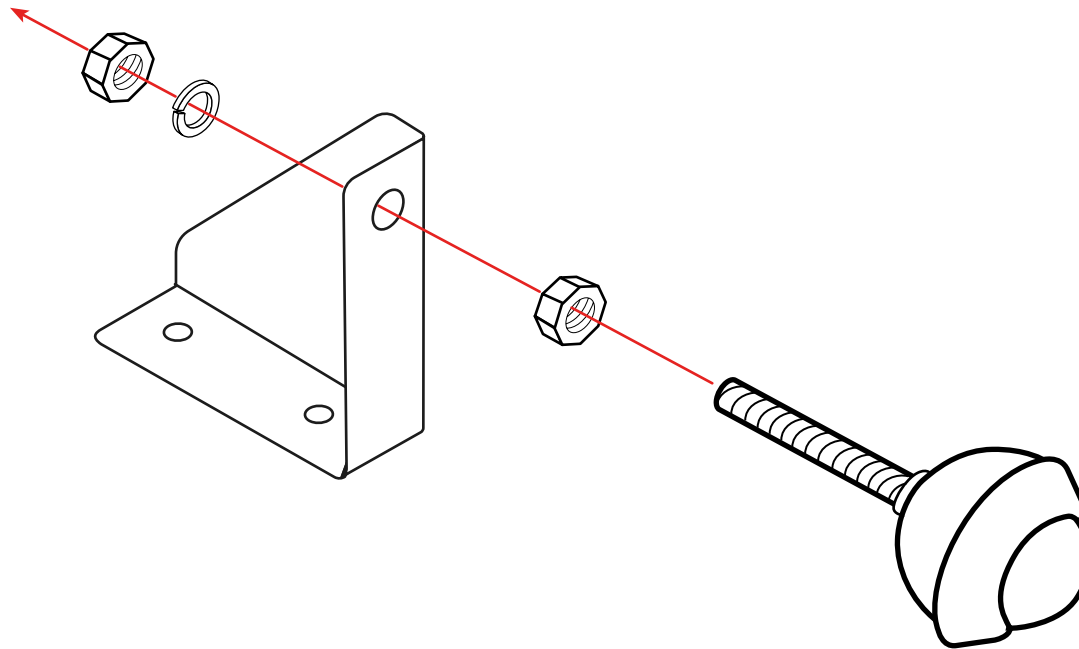
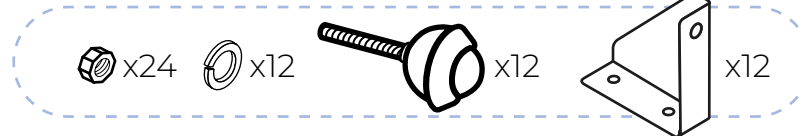


Video instruction

1



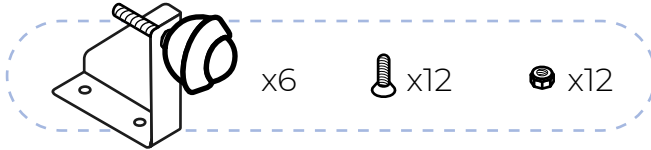
(Inlet side)



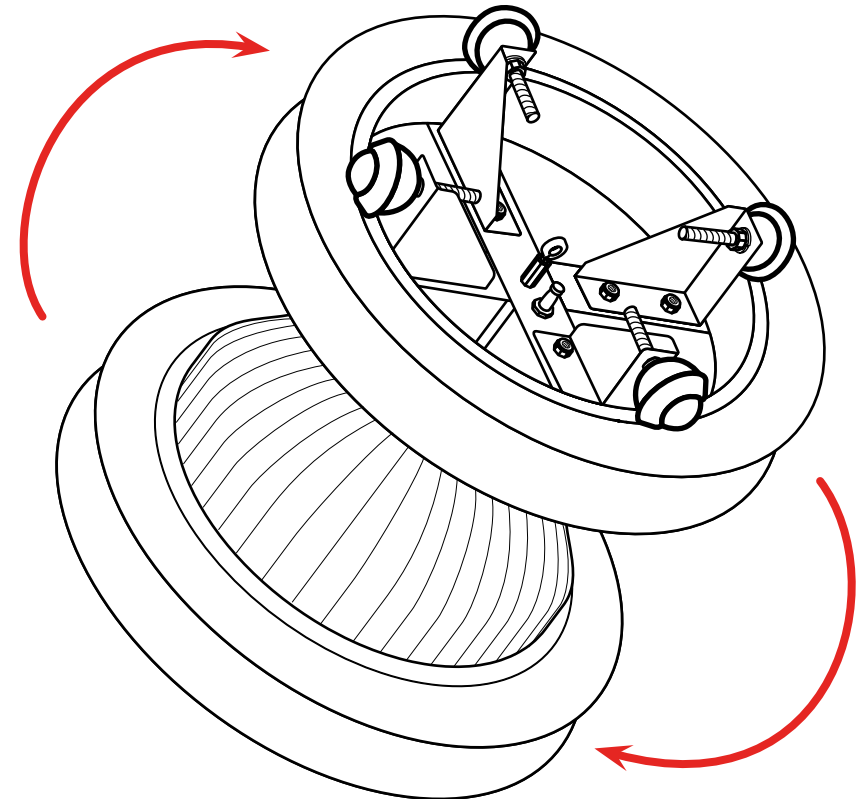
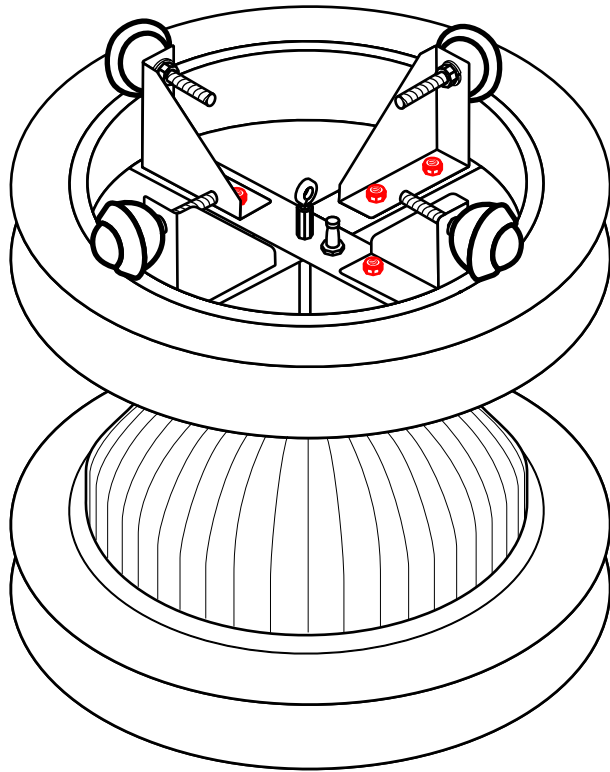
x8 (18 - 30")

x12 (32 - 40")

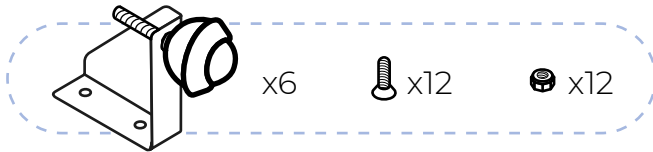
2



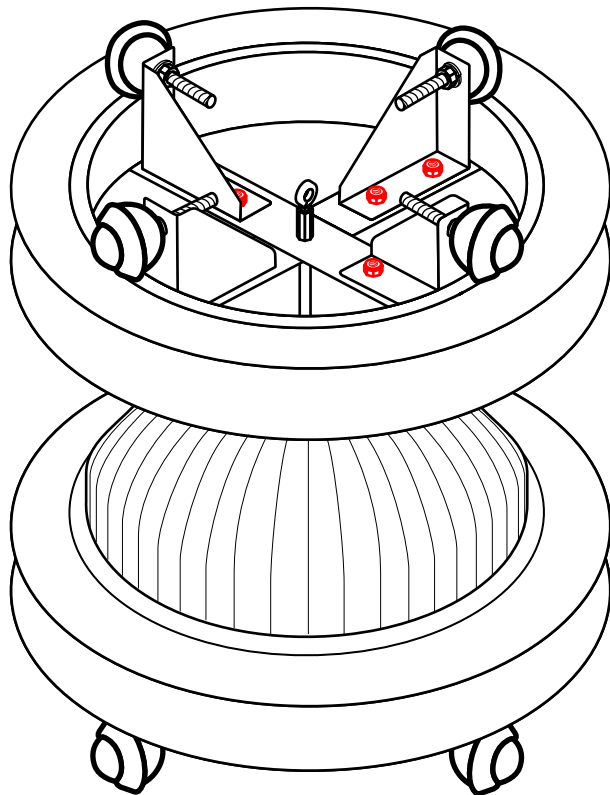
3



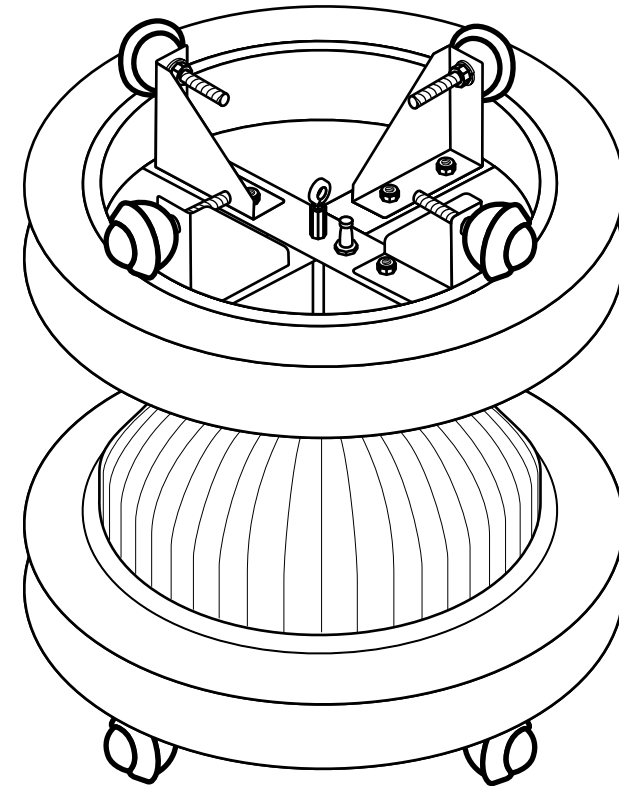
4



(Outlet side)



5



The balls should be adjusted so that they are 3 mm from the pipe wall when the WS Plus is in use.